

## Data sheet

# Elegant-wall 19inch wall mounting rack cabinet W:600 = D:600

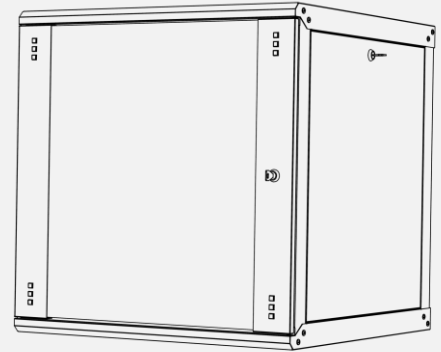
### General description

This is the product when you don't need a full size enclosure or you don't have the room for one rack, the Wall mount enclosure is quite enough for most distributing network applications but requires minimum install space.

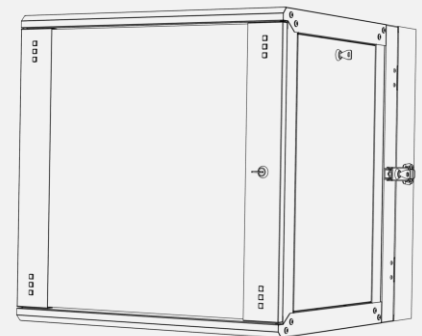
Elegant Wall cabinets are designed to have a variety of mounting options for small network equipments for establishments such as hotels, malls, cinemas, gas stations, offices etc.

Commonly used network hardware can be easily placed in these cabinets. Each wall type cabinets have full-adjustable 19" mounting rails 2 ea left & right.

These rack ship fully assembled or flat pack with quick and easy assembly structure, this racks has removable side panels for easy access for equipment during installation and maintenance, and all models are equipped with locking doors to prevent unauthorized access, the modular structure also providing extremely space efficient, saving significant amounts of money for the customers by reducing shipping and storage costs, in addition to this features, rack doors can be ordered in our available, solid, perforated or glass versions.



**Our product range has been  
manufacturing with respect to  
international quality standards  
ISO9001-20018 / TSE EN-61587-1:2012**



Swing out body – Double section



We are responding the needs of users with choice of 6 different height dimensions.

Height : 04U - 07U - 09U-12U-16U-20U

Width : 600mm

Depth: 450mm & 600mm & Double section 450+150mm

## PROTECTION INDEX

- IP30 According to EN 61587-1 / IEC 60529
- IP30 :Rigid test rod diameter of 2.5 mm, 100 mm long (as specified by the standard) is pushed against any openings of the enclosure with the force of 3N

## MECHANICAL PERFORMAMANCE

- EN 61587-1 5.2.1 / 5.2.3
- Stiffness test (Performance level SL6)
- Dynamic mechanical load test (Performance level DL4)
- Resonance point detection test IEC 60068-2-6
- Vibration test (Sinus-IEC 60068-2-6)
- Shock test IEC 60068-2-27)
- Impact test IEC 60068-2-75 (Performance level K2)
- Permissible load carrying capacity : 70kg / 154lbs

## CLIMATIC TESTS (Performance level C2)

- Cold (IEC 60068-2-1) Temperature of the exposure: -25°C +/-3°C
- Dry heat (IEC 60068-2-2) Temperature of the exposure: +70°C +/-2°C
- Damp heat cyclic (IEC 60068-2-30)

## INDUSTRIAL ATMOSPHERE (Performance level A3)

- Salt mist test (IEC 60068-2-11)
- Sulphur dioxide test and hydrogen sulphide test IEC 60068-2-42, IEC 60068-2-43, IEC 60068-2-49

## GROUNDING CONTINUITY

EN 61587-1 / EN 61010-1

- The continuity of the protection circuit is in accordance with the standard regulations. The measured resistance was less than 0.1 Ohm.

## INTERNATIONAL COMPATIBILITY TESTS AND CERTIFICATIONS

### Environment

- TS EN 61587-1: 2012 , IEC 60068-2-1, IEC 60068-2-2, IEC 60068-2-30, IEC 60917- IEC 60297

### Industrial Environment

- TS EN 61587-1: 2012 , IEC 60068-2-42, IEC 60068-2-43, IEC 60068-2-49

### Static and mechanic structure load test

- EN 61587-1/ 5.2.1/ IEC 60917- IEC 60297

### Static and mechanic structure Stability

- EN 61587-1/ 5.2.2 / IEC 60917- IEC 60297

### Grounding continuity

EN 61587-1: 2012 / EN 61010-1 / IEC 60917- IEC 60297

### Fire and flame resistance

- EN 61587-1: 2012 / IEC 60917- IEC 60297

### IP Protection degree

- IP30 According to EN 61587-1:2012 / IEC 60529

## STANDARDS

1. **ISO9001-2008** Quality management system must be used in the production of 19" Rack cabinets
2. 19" Rack Cabinets must have a **TSE Certificate EN-61587-1 , IEC60917 – IEC 60297** standards
3. In addition, all of the main and auxiliary materials used in the manufacturing process must comply with the following standards

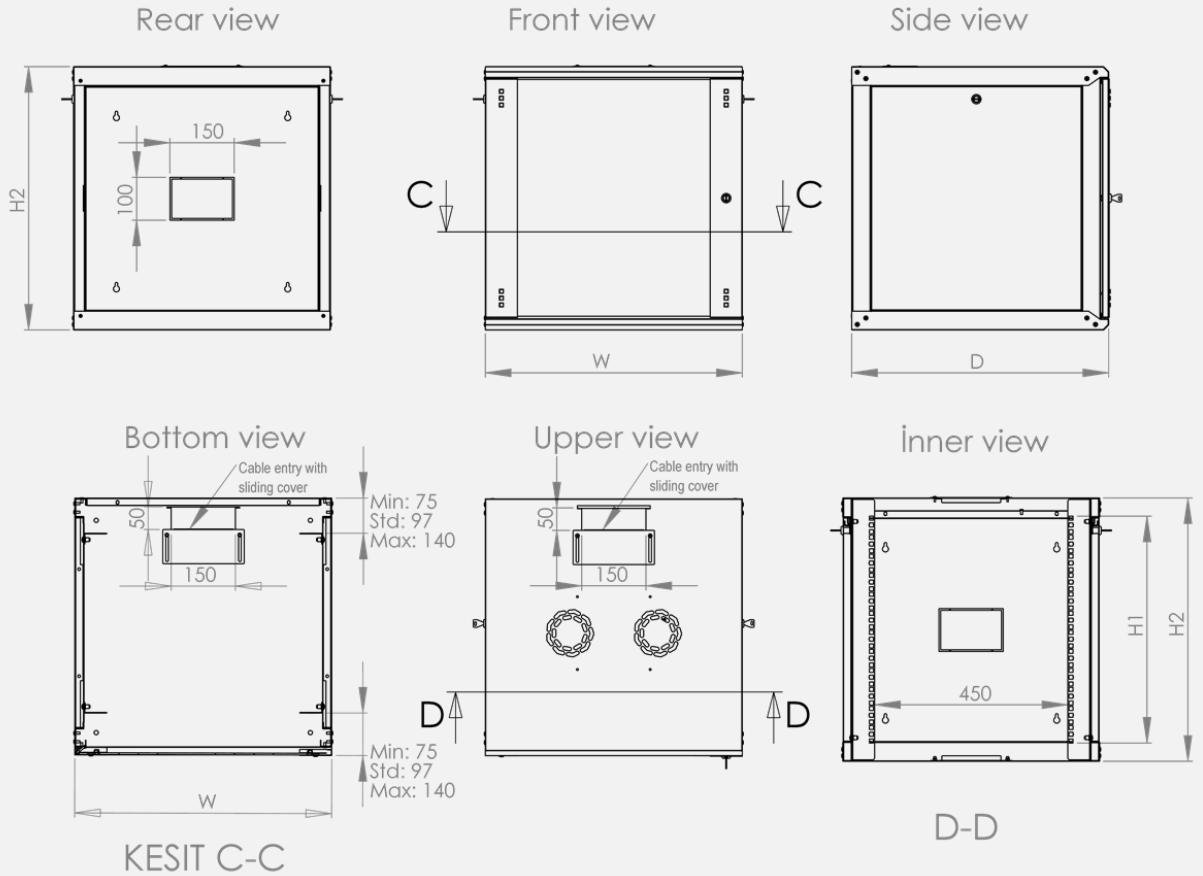
- **Sheet Metal** " DIN EN 10130 – 99 Ereğli DC-01 6112 , 7122 , RoHS
- **Electro static powder paint** ISO 9001 , ISO 2178 , ISO 2813 , ISO 6272 , ISO 8130-5 , ISO 8130-3 , RoHS Ral:9005 or Ral:7035
- **Ventilation module ( Fan Unit )**." ISO 9001 , EN 60335-1:2002 / EN 62233 :2008 RoHS 2011/65/EU
- **Glass** " ISO 9001 , EN 12150 – 1 : 2000 Bottle glass , Tempered, secure "
- **Connection components** (screw, nut, washer etc.)" DIN 7985 , DIN 965 , DIN 7981 , DIN 934 , DIN 985 , DIN 933 , RoHS "
- **Castor** " **TS EN 12530 , TS EN 12532 , RoHS** "
- **Lock** " **DIN 1743 , DIN 53571 , RoHS** "

## Data sheet

# Elegant-Pro 19inch free standing rack cabinet W:600 = D:600

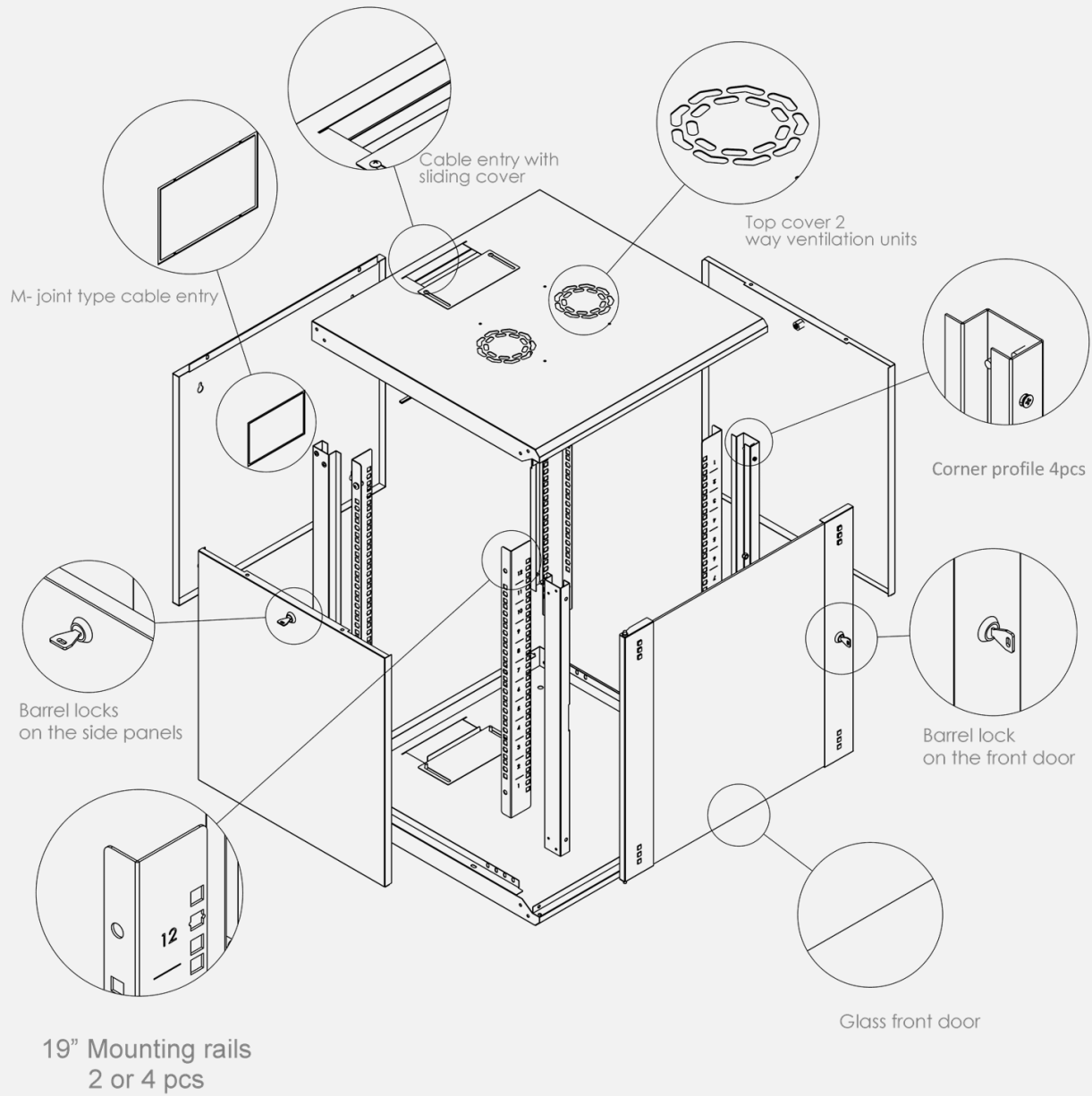
1. Dimensions must comply with **IEC60297** standards. Cabinet must be height ( 04U,07U,09U,12U,16U,20U
  - Width :600mm
  - Depth : ( 450mm - 600mm and 450+150=600mm Double section)
2. Main frame and profile structures must be manufactured and tested to provide axial (x, y, z) resistance that **meets EN 61587-1 / 5.2.1 and 5.2.2**, and external impact resistance that meets **EN 61587-1 / 5.3.3**. Dynamic load, vibration and mechanical impact (**IEC 60068-2-6 , IEC 60068-2-27**) test results must be certified by TSE.
3. Main profile structure must be a structure that would increase mechanical resistance with aesthetic appearance, folded with an angle of 90 degree and must consist of 4 bending. 2 front and 2 rear frames.
4. Bottom & UP case must have cable access that would block dust inlet. Bottom case must have sliding cable entry paths with dimensions 50x150mm , case structure must be monoblock welded on the front, Up case must be compatible with 1 or 2 way ventilation unit installation
6. Side panels must have a structure that can be openable and and removable by barrel type lock, The removable side panels must allow comfortable and easy access to the installed devices for maintenance from all sides of the cabinet.
7. Front door : Glass structure must be tempered,anti-static,secure glass with 4mm thickness according to **EN 12150-1:2008** standard. front door must have left and right metal frames structure with high density silicone and screws and nuts , structure that open 135 degrees , removable by spring hinge , lockable with swing handle lock.
8. The rear panel of the wall-mounting rack must serve as a guide template to drilling the screws and very convenient in order to place the rack cabin in the desired location, rear panel must have 4 fixing point and M-Joint type cable entry with dimensions 100x50mm
9. To provide high resistance to impacts, cabinets must be coated by RAL 9005 or RAL 7035 Electrostatic powder coat to meet **ISO 8130 and ASTM D 523 / 2794** standards and test result reports must be certificated. On flat metal surfaces, there must be 85±5 micron paint thickness and must be tested according to **IEC 60068-2-1, IEC 60068-2-2, IEC 60068-2-30, IEC 60068-2-42, IEC 60068-2-43, IEC 60068-2-49, IEC 60068-2-11** and their results must be certificated by TSE.
12. The vertical mounting rails are adjustable throughout the entire depth of the cabinet and have very high carrying capacity with 1.5mm thickness **Silk-screen** mounting rails are providing ability to count U- Marking from top to down & down to up for easy device installation
- 14.Cabinet locks: all locks used in cabinets must have the same coded-key and all covers of cabinets must have a lockable structure
- 15.Fan units must be with the standards ISO 9001 , CE ( 89/336/EEC EMC , 73/23/EEC LVD 2006/95/EC ) , RoHS " , Noise 46db , Air Flow M3/Hr 138/162 CFM 82/95.
16. All metal components in cabinets must be connected to one another electrically and grounding resistance must be maximum **0,1 ohm** according to **IEC 61010-1 / 6.5.1.3** standard. All proposed products must be tested to meet this standard and their results must be certificated by TSE.
16. Standard Elegant wall Rack cabinet body must be compatible with extension body kit for swingout applications ( Double section )

**Elegant-wall 19inch wall mounting rack cabinet**  
**W:600 = D:600**



Product code	Product description	Out width ( W )	Out depth ( D )	H:1 inner Height	H:2 Out Height
ELGW 04U 6060 CC 111	04U 19" 600x600mm ELEGANT WALL MOUNTING RACK CABINET	600	600	177,8	259,75
ELGW 07U 6060 CC 111	07U 19" 600x600mm ELEGANT WALL MOUNTING RACK CABINET	600	600	311,15	393,1
ELGW 09U 6060 CC 111	09U 19" 600x600mm ELEGANT WALL MOUNTING RACK CABINET	600	600	400,05	482
ELGW 12U 6060 CC 111	12U 19" 600x600mm ELEGANT WALL MOUNTING RACK CABINET	600	600	533,4	615,35
ELGW 16U 6060 CC 111	16U 19" 600x600mm ELEGANT WALL MOUNTING RACK CABINET	600	600	711,2	793,15
ELGW 20U 6060 CC 111	20U 19" 600x600mm ELEGANT WALL MOUNTING RACK CABINET	600	600	889	970,95

# Elegant-wall 19inch wall mounting rack cabinet W:600 = D:600



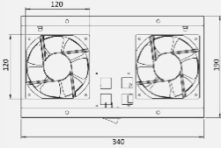
# Elegant-wall 19inch wall mounting rack cabinet

## W:600 = D:600

Cooling is an extremely important challenge in any networking application



Elegant wall ventilation modules which can be detached by removing 4 pcs screws from the top in case of maintenance or replacement needs.



Protect your devices against overheating by choosing the right fan module.

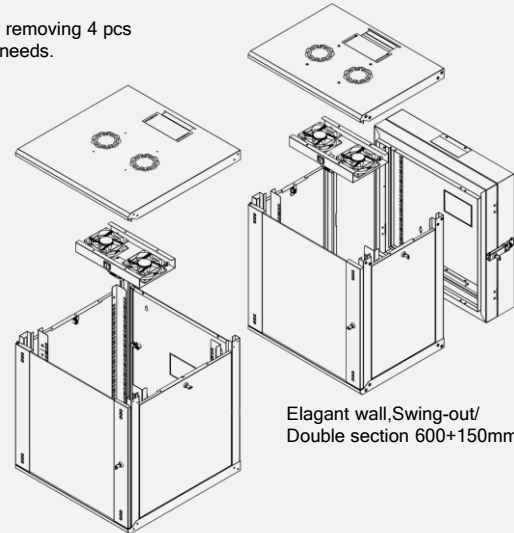
- On/Off switch Fan modules
- Analog or digital Thermostat control unit Fan modules
- Rack mounting type 19inch Fan modules

**Standards :** ISO 9001 , CE ( 89/336/EEC EMC , 73/23/EEC LVD 2006/95/EC ) , RoHS " , Noise 46db , Air Flow M3/Hr 138/162 CFM 82/95.

### COOLING UNITS

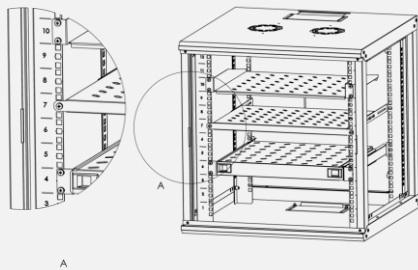
#### WALL MOUNTING TYPE VENTILATION UNITS

ACCESSORY	PA CC WL FN 01	Fan Modules; 1 Fan,with On/Off switch control
ACCESSORY	PA CC WL FN 02	Fan Modules; 2 Fan,with On/Off switch control
ACCESSORY	PA CC WL FN T1	Fan Modules; 1 Fan,with Analog thermostat control unit
ACCESSORY	PA CC WL FN T2	Fan Modules; 2 Fan,with Analog thermostat control unit
ACCESSORY	PA CC WL FN DT1	Fan Modules; 1 Fan,with Digital thermostat control unit
ACCESSORY	PA CC WL FN DT2	Fan Modules; 2 Fan,with Digital thermostat control unit



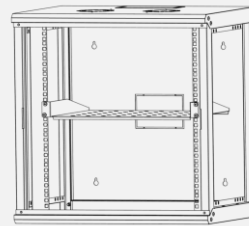
Elegant wall, Swing-out/  
Double section 600+150mm

Elegant wall  
Single body 600x600mm



Compatible shelves for 600x600mm

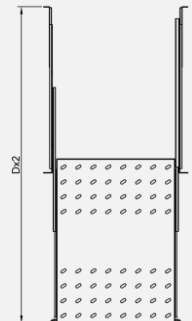
- Rack mount shelf ( only front fixing)
- D:600mm Sliding shelf ( pull out type with rails)
- D:600mm Fixing shelf



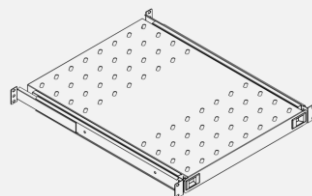
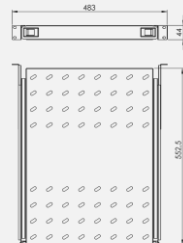
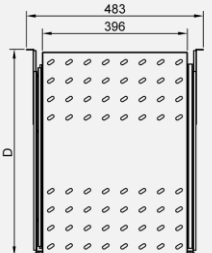
Compatible shelves for 600x450mm

- Rack mount shelves ( only front fixing)

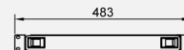
Open - view



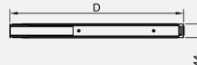
Close - view



19" Sliding shelf - Front view



19" Sliding shelf - Side view



#### FIXED SHELF

ACCESSORY	PA CC RK SR 60	1/2U Sabit Raf - 600 mm Compatible only 600x600mm cabinets
-----------	----------------	--

#### SLIDING SHELF

ACCESSORY	PA CC RK HR 60	Hareketli Raf 600 mm Compatible only 600x600mm cabinets
-----------	----------------	---

#### RACK MOUNT SHELF

ACCESSORY	PA CC RK MR 1U 20	1U 19" D=200 mm Rack mount type shelf
ACCESSORY	PA CC RK MR 1U 25	1U 19" D=250 mm Rack mount type shelf
ACCESSORY	PA CC RK MR 1U 35	1U 19" D=350 mm Rack mount type shelf
ACCESSORY	PA CC RK MR 2U 30	2U 19" D=300 mm Rack mount type shelf
ACCESSORY	PA CC RK MR 2U 35	2U 19" D=350 mm Rack mount type shelf
ACCESSORY	PA CC RK MR 2U 40	2U 19" D=400 mm Rack mount type shelf
ACCESSORY	PA CC RK MR 3U 40	3U 19" D=400 mm Rack mount type shelf
ACCESSORY	PA CC RK MR YU 1015	1/2U 10" D=150 mm Rack mount type shelf

#### FIXED /SLIDING SHELVES LOAD CARRYING CAPACITIES

- Fixed shelf : 50kg / 110lbs
- Sliding shelf : 25kg / 55 lbs

#### RACK MOUNT TYPE SHELVES LOAD CARRYING CAPACITIES

- Rack mount type Fixed shelf : 50kg /110lbs

#### COLOUR

- Ral:9005 Black
- Ral :7035 Light Gray

✓ All our fixed and sliding shelves are universal type and compatible with multivendor 19" rack cabinets

# Elegant-wall 19inch wall mounting rack cabinet W:600 = D:600

## Elegant-wall : W:600 = D:600 Material index

### Harmonisation system codes - HS code

- 8538.10.00.00.00 :Rack cabinet without accessories
- 85.37.10.99.00.19 :Rack cabinet with accessories

### Type of shipping

- Assemble / Flat-pack

### Load carrying capacity

- 70kg / 154lbs

### Surface treatment

- On flat metal surfaces, there must be 85±5 micron paint thickness and must be tested according to **IEC 60068-2-1, IEC 60068-2-2, IEC 60068-2-30, IEC 60068-2-42, IEC 60068-2-43, IEC 60068-2-49, IEC 60068-2-11**

### Standard colour

- Ral:7035 Light gray / Ral:9005 Black

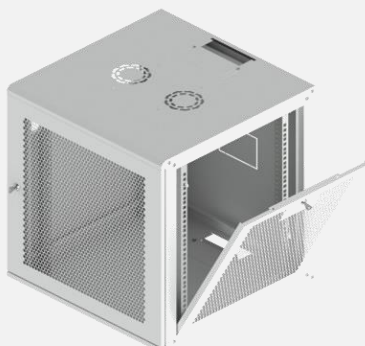
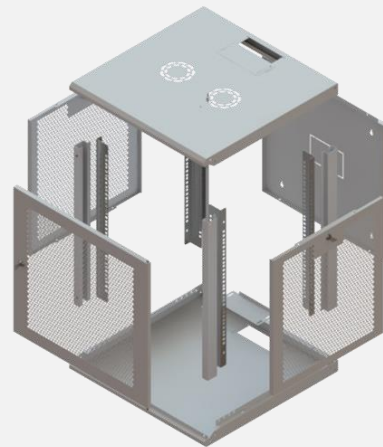
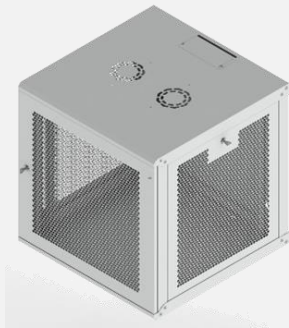
## Shipment configuration

- Front door with glass door 1 set
- Rear panel 1ea
- Side panel 2pcs - Left & Right
- 19inch Mounting rail 4pcs
- Corner Profiles 4pcs
- Bottom case 1ea
- Upper case 1ea
- Earting wire set 1ea
- Screw set 1set
- Barrel type lock 3pcs

## Packaging and Palletisation

- Wooden pallet 1 ea (ISPM heat treated application)
- stretch wrapping
- Cardboard
- Plastic stip
- Product label

## Surrounding perforation



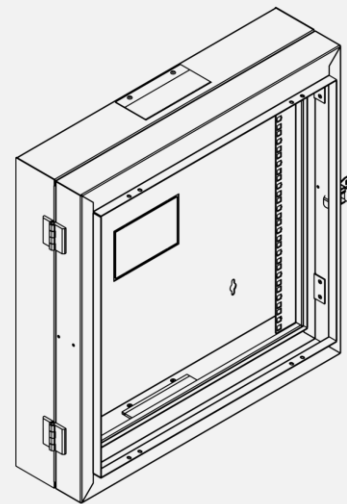
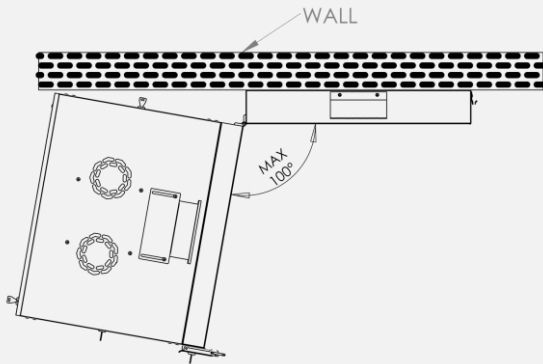
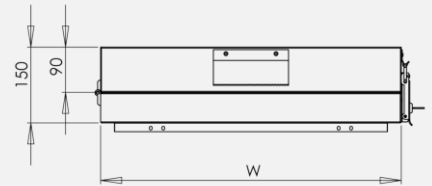
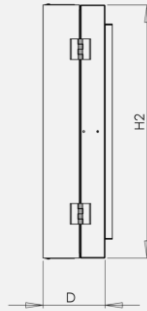
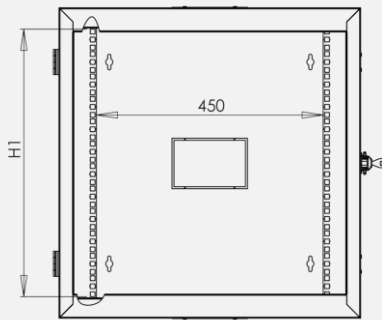
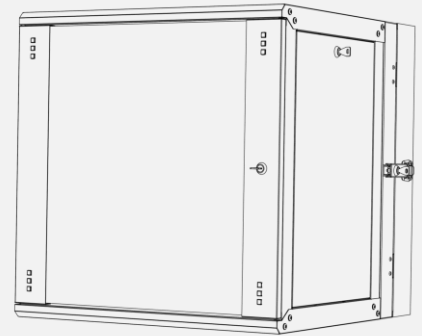
High-flow perforated front and side panels provide optimum front to side airflow to keep equipment cool inside the rack , we are manufacturing different percent-open metal perforated doors as 63% and 80%allow for excellent airflow inside the rack, it is optimized to meet the needs of modern power and cooling requirements of High density applications.



# Elegant-wall 19inch wall mounting rack cabinet W:600 = D:600 swing-out ( Double section rack )

## Technical details of extension body kit

- We developed wall mounting type Elegant enclosures in order to use for more than one purpose , swing out body racks swing out from the wall while still be hanging to the wall.
- You can easily fix the additional rear module by removing the template holder from on rack enclosure , it provides easy access to equipment by it is swing-out structure and rear additional body is very convenient for cable management



Product code	Product description	Out width ( W )	Out depth( D )	H:1 inner Height	H:2 Out Height
ELGW 04U 6015 CC	04U EXTENSION BODY FOR ELEGANT WALL CABINETS WITH BAR REL LOCK AND HINGE	600	150	177,8	259,75
ELGW 07U 6015 CC	07U EXTENSION BODY FOR ELEGANT WALL CABINETS WITH BAR REL LOCK AND HINGE	600	150	311,15	393,1
ELGW 09U 6015 CC	09U EXTENSION BODY FOR ELEGANT WALL CABINETS WITH BAR REL LOCK AND HINGE	600	150	400,05	482
ELGW 12U 6015 CC	12U EXTENSION BODY FOR ELEGANT WALL CABINETS WITH BAR REL LOCK AND HINGE	600	150	533,4	615,35
ELGW 16U 6015 CC	16U EXTENSION BODY FOR ELEGANT WALL CABINETS WITH BAR REL LOCK AND HINGE	600	150	711,2	793,15
ELGW 20U 6015 CC	20U EXTENSION BODY FOR ELEGANT WALL CABINETS WITH BAR REL LOCK AND HINGE	600	150	889	970,95