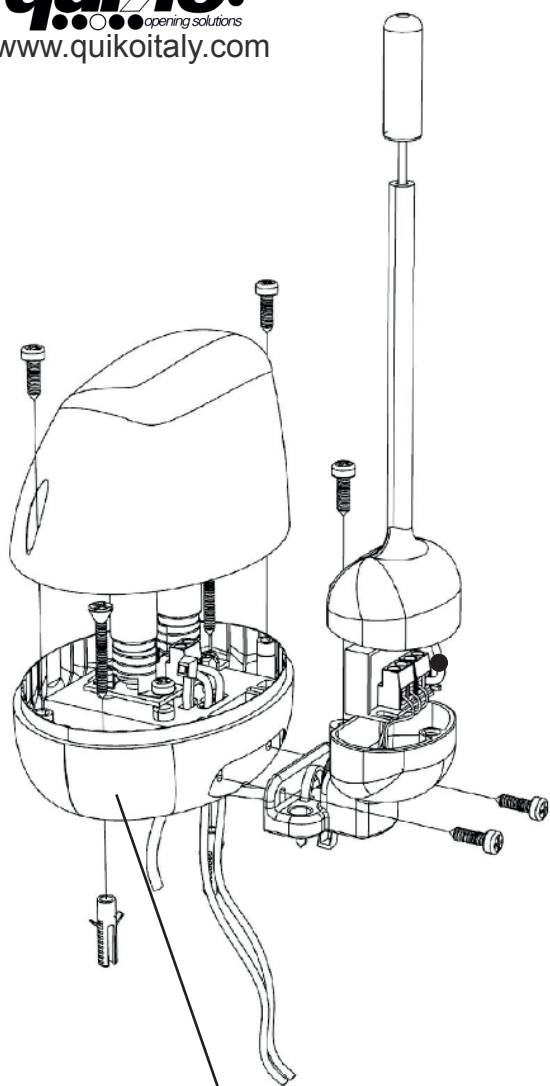


**QK-AN433\_V4**

**V02**

# Antenna extension for RL4 series control boards

**qui**lö<sup>®</sup>  
opening solutions  
www.quikoitaly.com



QK-LUX SERIES FLASHING LAMP

