



# INSTALLATION INSTRUCTIONS FOR THE MODEL SCI-B4 AND SCI-B6 SHORT CIRCUIT ISOLATOR BASES

The information contained in this installation instruction is a quick reference guide. For detailed system information refer to the panel manufacturer's installation manual. This instruction will not address specific programming procedures.

## GENERAL DESCRIPTION

This instruction applies to the model SCI-B4 and SCI-B6, which are to be connected to a DCP Signaling Line Circuit (SLC). The SCI-B is a short-circuit isolator combined in a base compatible with the Analog range of sensors. The SCI-B4 and SCI-B6 are to be used with the ALG-V, ALK-V, ALK-V2, AIE-EA and ATG-EA & ACA-V model sensors only. A remote fire LED facility is provided when a sensor is attached to the base. Typical applications are for use in hotels, apartments, and hospitals.

These two devices detect and isolate short-circuits on the loop. When a short-circuit is detected during power up these isolators will illuminate their integral LED (yellow) and drop the power to the rest of the loop.

### NOTE:

- 1) If a sensor is fitted this will still be powered when the device is isolating (yellow LED illuminated).
- 2) Install base wiring in accordance with the applicable drawings and appropriate wiring diagram (see page 2).

### PRECAUTIONS

- Ensure that both devices are installed in accordance with local standards or regulations.
- Only install in suitable environments, the following should be avoided;
  - \* Excessive ambient temperature
  - \* When excessive condensation or moisture is present
  - \* Hazardous areas
- Do not use a high voltage tester on these devices.
- Ensure that the SCI-B4/-B6 bases isolator are securely fixed to the ceiling or other suitable surface.
- Ensure that the terminals on both devices are securely fastened.
- When fitting the SCI-B4/-B6 isolator bases, for proper wiring supervision ensure that the cables are routed through the base terminals and not spurred off a main wiring route.
- Ensure the SCI-B4/-B6 bases isolator are fitted with a sensor.
- Ensure yellow isolating LED on either device is easily visible.

#### CAUTION !

To ensure proper operation connect this base to a compatible Fire Control Panel only. Refer to panel instructions for proper connection and compatibility.

#### CAUTION !

If this base will be installed in an existing operational system, inform the operator and local authority that the system will be temporarily out of service. Disconnect power to the control panel before installing the base.

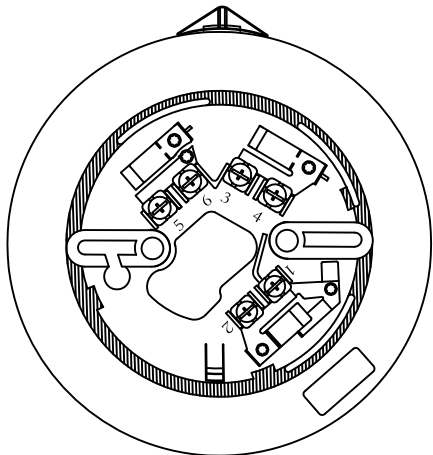
### SPECIFICATIONS

SPECIFICATIONS	
Model	SCI-B4, SCI-B6
DCP Voltage Range	17 - 41 VDC
DCP Loop Idle Current	160µA
DCP Loop Max. Alarm Current	10mA
Maximum quantity per loop	127
LED color	Yellow
Maximum Humidity	93%RH (non-condensing)
Operating Temperature Range	0°C (32°F) ~ 38°C (100°F)
Storage Temperature	-30°C (-22°F) ~ 70°C (158°F)
Base Diameter	6" (SCI-B6), 4" (SCI-B4)
Weight	190g (SCI-B6), 81g (SCI-B4)
Compatible Detectors	ALG-V, AIE-EA, ATG-EA, ALK-V, ALK-V2, ACA-V

#### CAUTION

Install the bases in this instruction in accordance with applicable NFPA standards, local codes, and the authorities having jurisdiction. Failure to follow these instructions may result in failure of the detector to initiate an alarm condition. Hochiki America is not responsible for detectors that have been improperly installed, tested, or maintained.

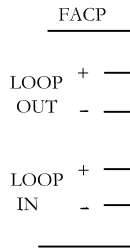
For testing and cleaning information refer to Technical Bulletin HA-96. Also refer to NFPA-72 Chapter 2 & 7 for Automatic Fire Detectors for installation guidelines, testing, and maintenance. Use "3M" Weatherban # 606 nonflammable sealing compound to seal field wiring conduit openings in the mounting back box. Compliance with this request may reduce the occurrence of the "STACK EFFECT".



SCI-B6 Top terminals not used

**WIRING DIAGRAM**

Please refer to UL listed Fire Alarm Control Panel installation instruction for wiring details.



**CLASS A (STYLE 7) WIRING**

**SCI-B6 Mounting Instructions**

Please refer to diagram in Figure 1

The Model SCI-B6 base mounts directly to 3" or 4" standard boxes. To mount the base, remove the back cover from the main assembly and place flush onto a back box. Attach the cover using the (2) 8-32 x 1 3/8 mounting screws (supplied). Once the back cover is mounted securely to the box, snap the main assembly into place by aligning the notches on both pieces of the plastic housing. Complete the assembly by fastening it using (2) standoff screws (supplied) into the appropriate slots.

Note: Outer mounting holes not to be used with SCI-B-6.

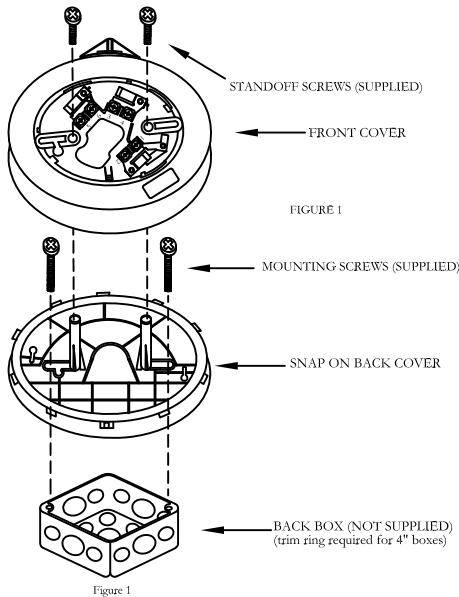
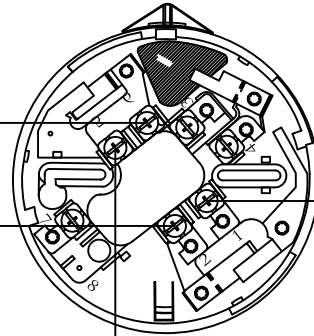


Figure 1

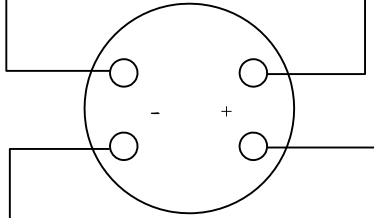
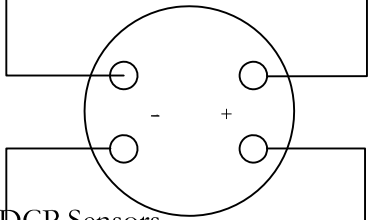
**SCI-B4 - SLC wired to top of base as shown**



SCI-B4: TERMINAL CONNECTION 1, 2, 5 AND 6 WIRING SHOWN IS SUPERVISED AND INHERENTLY POWER LIMITED

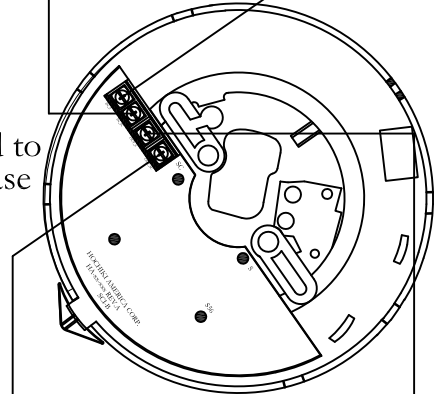
LOOP + OUT  
LOOP - OUT

Group of various DCP Sensors and/or Modules



SCI-B6: TB1 WIRING SHOWN IS SUPERVISED AND INHERENTLY POWER LIMITED

**SCI-B6 wired to Bottom of base as shown**



Group of various DCP Sensors and/or Modules

