

Cautions



ELECTRICAL HAZARD: Disconnect power from equipment prior to making any internal adjustments. Service should only be performed by qualified personnel.



FRAGILE: Inspect the equipment prior to installation. Do not install the equipment if damage is apparent. Do not attempt to disassemble this equipment. If damaged, return to the supplier.



CIRCUIT LIMITATIONS: The maximum number of devices connected to a single input is limited by the extinguishment releasing panel, and may be limited by local regulations.

Introduction

Manual controls (see Figs. 1 ~ 5) connect to extinguishant releasing panels (ERP) and enable manual over-ride of parameters configured in the ERP.



Fig. 1: 6005-02 ERP auto/manual key-switch control



Fig. 2: 6005-03 ERP manual release control



Fig. 3: 6005-04 ERP hold release on/off control



Fig. 4: 6005-05 ERP abort release control



Fig. 5: 6005-06 ERP main/reserve mode selection control

These instructions provide trained installation personnel with details to install and commission 6005 manual controls for optimum performance.

Preparation

Before commencing installation, ensure all equipment and tools to mount and connect the equipment are available, such as drills, mounting screws, cables and ladders.

Installation

Mounting

1. Unscrew the body from the back-box.
2. Mount the base to the wall or other secure mounting surface using fixing screws that are suitable to securely fix the base to the surface.

Wiring

The terminals accept (0.4 ~ 2.5) mm² conductors. Strip the conductor insulation to expose 5 mm of the conductor.

6005-02 to 6005-05

1. Connect the conductors to the terminals as shown in Figs. 6 ~ 9.

WARNING: Take care to ensure the insulation does not get clamped by the terminal contact.



2. Check the wiring for continuity, short circuits and earth faults.

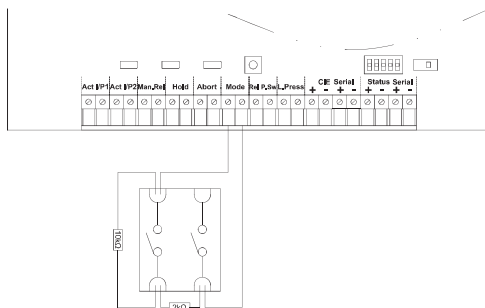


Fig. 6: 6005-02 ERP auto/manual key-switch control wiring to 6005 ERP

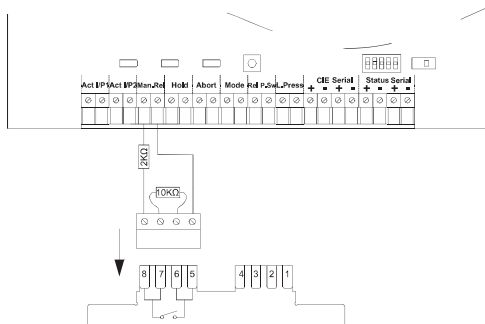


Fig. 7: 6005-03 ERP manual release control wiring to 6005 ERP

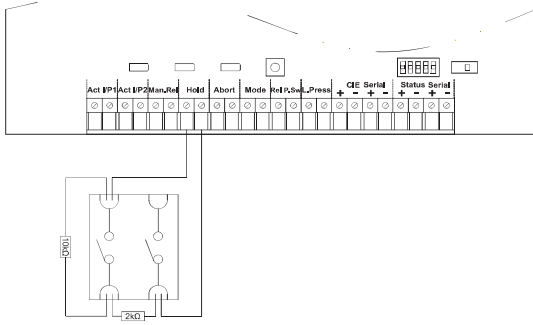


Fig. 8: 6005-04 ERP hold release on/off control wiring to 6005 ERP

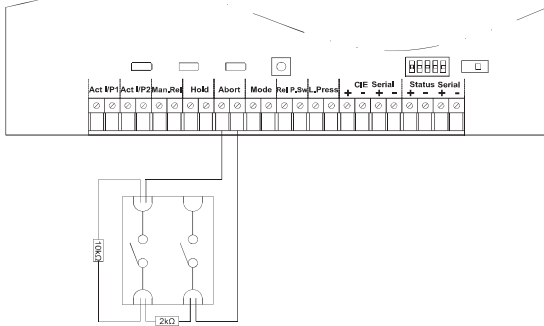


Fig. 9: 6005-05 ERP abort release control wiring to 6005 ERP

6005-06

1. Connect the conductors to the MAIN/RES terminals of either the ERP status indicator (6005-07 or 6005-08) or the ERP controls and status indicator (6005-09 or 6005-10) as shown in Fig. 10.



WARNING: Take care to ensure the insulation does not get clamped by the terminal contact.

2. Check the wiring for continuity, short circuits and earth faults.

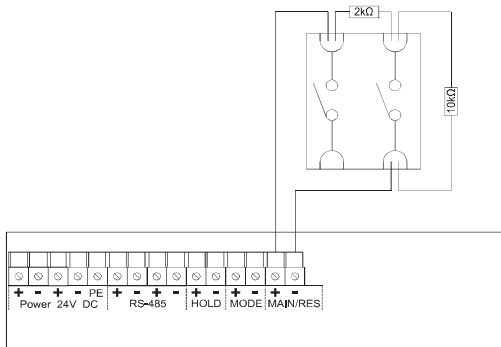


Fig. 10: 6005-06 ERP main/reserve mode selection control wiring to 6005-07/08 status indicator or 6005-09/10 controls and status indicator

Assembly

Screw the body to the back-box.

Commissioning

Initial Conditions

Ensure all releasing devices and extinguisher systems are disabled during the commissioning period.

Test Conditions

1. Refer to the 6005 ERP control panel installation instructions for test and commissioning procedures.
2. Activate the manual control and check that the relevant function activates.

Final Conditions

Ensure all the alarm signal services, releasing devices and extinguisher systems disabled for the commissioning are returned to their previous condition.

References

Document	Description
31-0072	6005 extinguishant releasing panel datasheet
32-0074	6005 extinguishant releasing panel installation manual

View the complete range of products at www.numens.com

