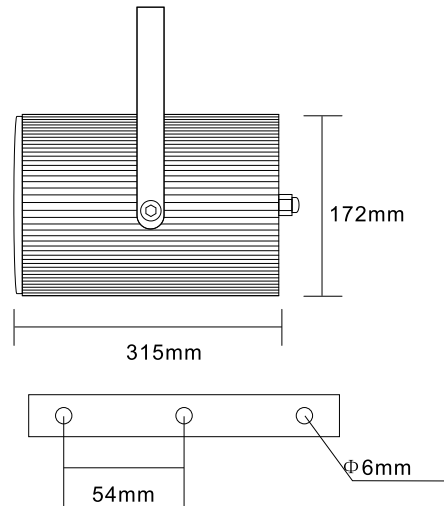




Uni-directional Projection Loudspeaker

T-770



Model	T-770
Power Taps @100V	7.5W, 15W
Power Taps @70V	3.75W, 7.5W
Impedance	Black: Com White: 1.3K Ω Green: 670 Ω
SPL(1W/1M)	100dB
Max. SPL (Rated W/1M)	112dB
Frequency Response (-10dB)	250-14KHz
Finish	Baffle: Aluminum, White Grille: Steel, White
Speaker Driver	6" x 1
IP Rate	IP 66
Dimensions	172 x 315mm
Weight	2.7Kg
Mounting	With mounting bracket fixed by screw