

# **Elegant Line Wall Mounting Rack**

**GÜNKO** INDUSTRIAL



**Elegant Line  
Low Cost And Professional  
Rack Cabinet Solution**

## Elegant Line

### 600x450mm

Elegant-Line series wall mounted cabinets contain professional solutions that combine high quality, aesthetic design and safety for your active, passive network and all 19 " electronic devices.

Stores, markets, parking garages, shopping malls, restaurants, hospitals, banks, business centers, smart buildings, etc. It provides the most appropriate protection and use for your electronic devices in many areas.

19 " device mounting rails are adjustable throughout the depth of the cabinet, they are a set in right / left cabinets with a depth of 450mm, and 2 sets in cabinets with a depth of 600mm.

Easy mounting is provided by the top-down, bottom-up numbering system showing the "U" dimensions on the device mounting rails.

Elegant-Line cabinets have U options in 4 different heights from 7U to 16U.

Elegant-Line cabinets are delivered as standard in Ral7035 Light Gray color as stock delivery. We have optional Ral9005 Black color application.



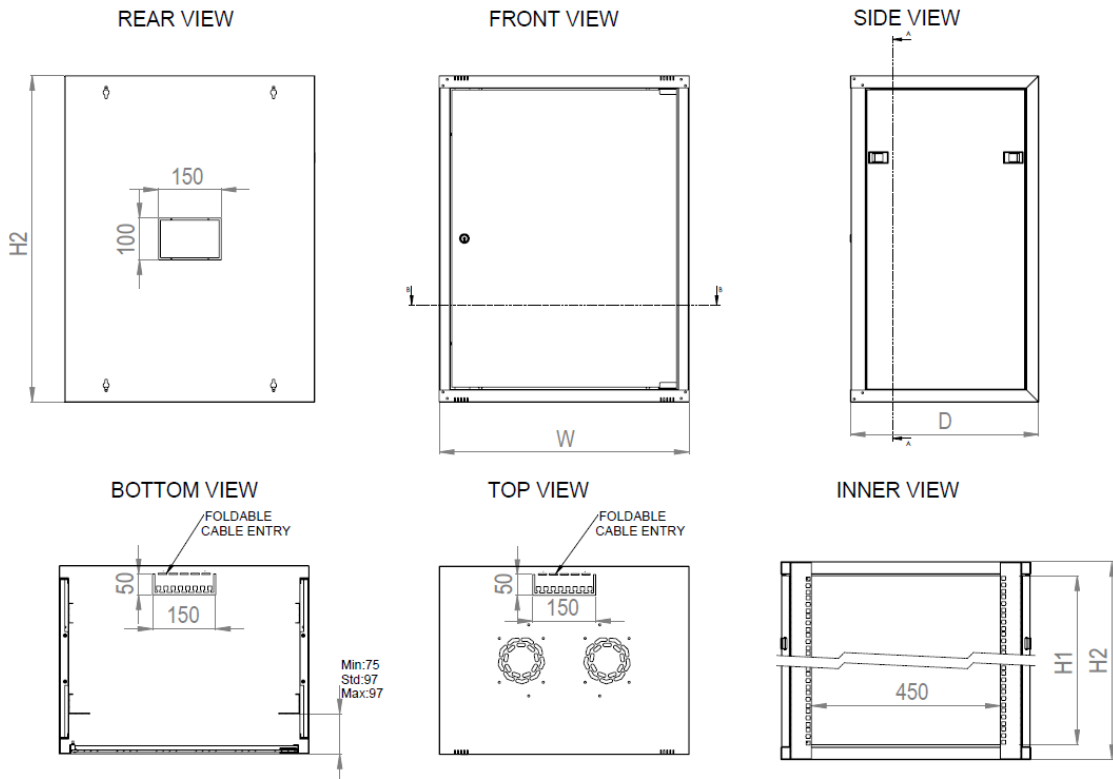
- Ergonomic design
- Easy to install
- Openable side panels
- 4mm tempered smoked color front glass cover
- 1mm Galvanized sheet (high corrosion resistance)

RAL:9005

RAL:7035



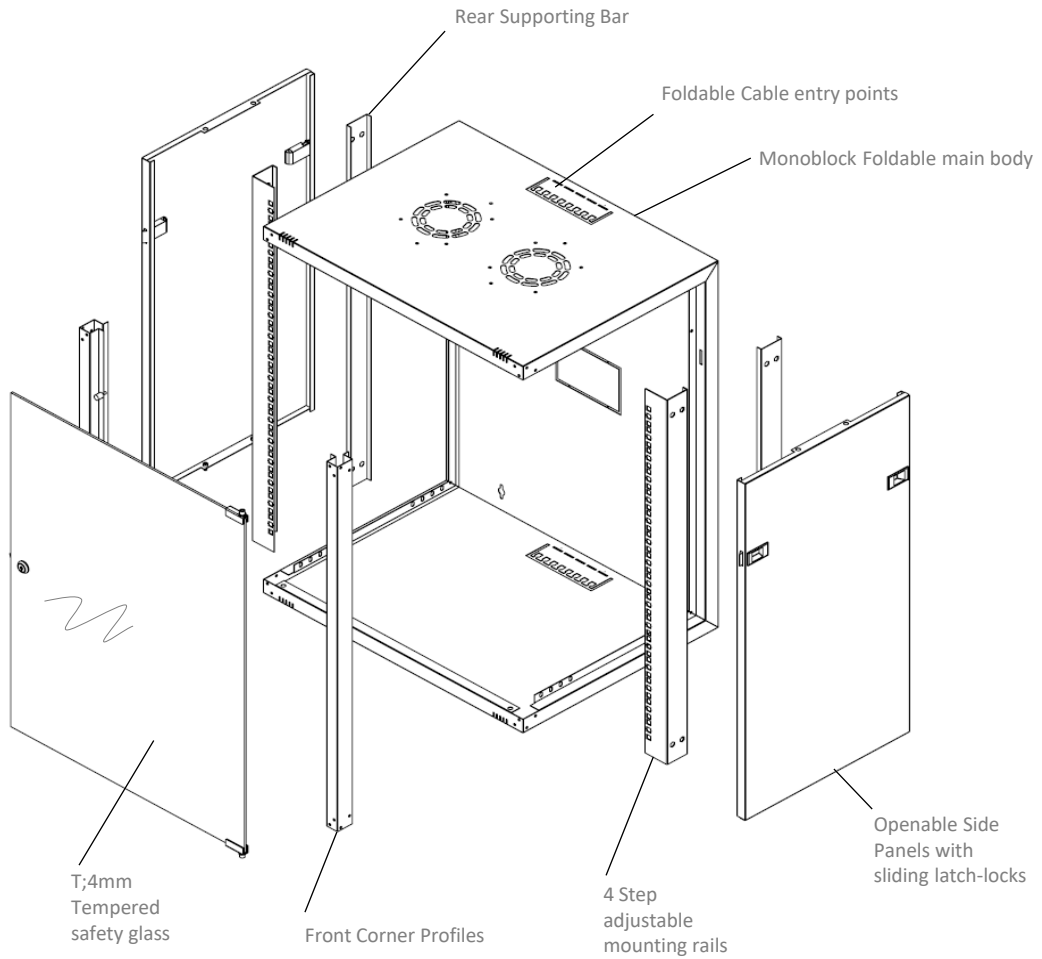
## Elegant Line 600x450mm



Model Name	Product code	Product description	Out width ( W ) mm	Out depth ( D ) mm	H:1 inner height -mm	H:2 Out height- mm
<b>600x450mm Elegant Line Wall mounting rack cabinet</b>						
Elegant Line	ELGL 07U 6045 PCC 11	Elegant Line 19" 7U W=600 mm D=450 mm	600	450	314	380
Elegant Line	ELGL 09U 6045 PCC 11	Elegant Line 19" 9U W=600 mm D=450 mm	600	450	403	469
Elegant Line	ELGL 12U 6045 PCC 11	Elegant Line 19" 12U W=600 mm D=450 mm	600	450	537	602
Elegant Line	ELGL 16U 6045 PCC 11	Elegant Line 19" 16U W=600 mm D=450 mm	600	450	715	780

**Elegant Line  
600x450mm**

**Explode View**



**GÜNKO** INDUSTRIAL

*Since 1974*



**Günko Endüstriyel Sistemler San.Tic.Ltd.Şti.**

*Sales Office: inönü Mahallesi Zümrüt sokak – Alize iş merkezi No:3/3 Ataşehir/İSTANBUL/TURKEY*

*TEL +90 216 595 06 52*

**Günko Endüstriyel Sistemler San.Tic.Ltd.Şti.**

*Factory: Ramazanoğlu Mahallesi Gürsu Sokak No:13/B Kurtköy, Pendik / İSTANBUL / TURKEY*