



Elegant Line 19" Wall Mounting Cabinet H:7U-16U W:600 x D:600

- Monoblock foldable main body
- Hinged, removable and lockable glass front door, t:4mm
- Removable and lockable side panels
- Optional fan-unit into the roof or 19inch rack mount type fan unit
- Vertical mounting rails are adjustable 4 step throughout the entire depth of the cabinet.
- Load carrying capacity 45kg

PN: ELGLXXU6060PLG811

Technical Data

Dimensions HxWxD in mm

Height (U)

Colour

Load Carrying Capacity

Standards

Climatic Tests

Industrial Atmosphere

Static Mechanical Load Class

Dynamic Mechanical Load Test

Shock test

Impact test

IP rating

W:600mm D:600mm H: (Look at page 2 for H values)

7U-9U-12U-16U

RAL 7035 L.gray color = **ELGLXXU6060PLG811**

45kg

TS EN 61587-1

C2

A2

SL5 - LT5 -ST5 -NL5

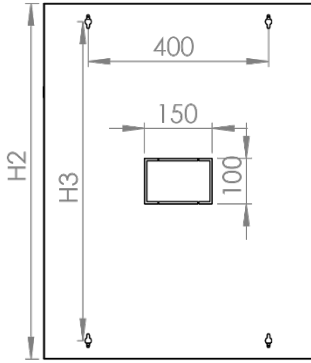
DL4V

DL4S

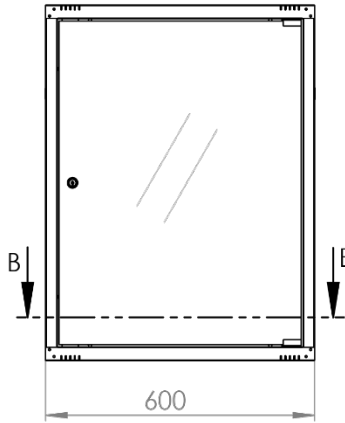
IK07

IP 20

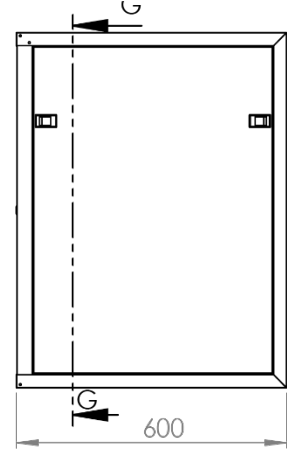
Rear view



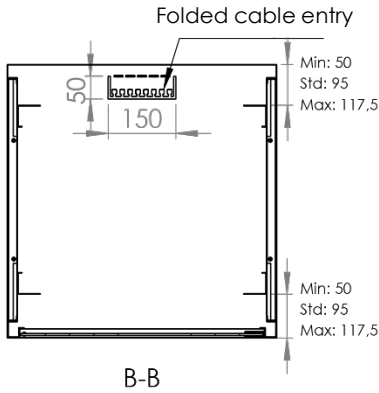
Front view



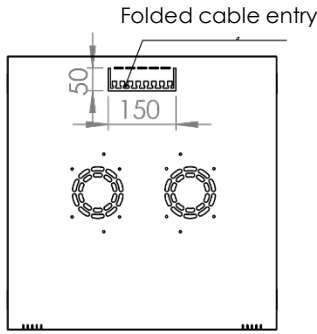
Side view



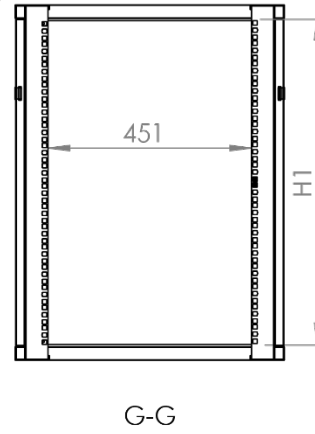
Bottom view



Top view



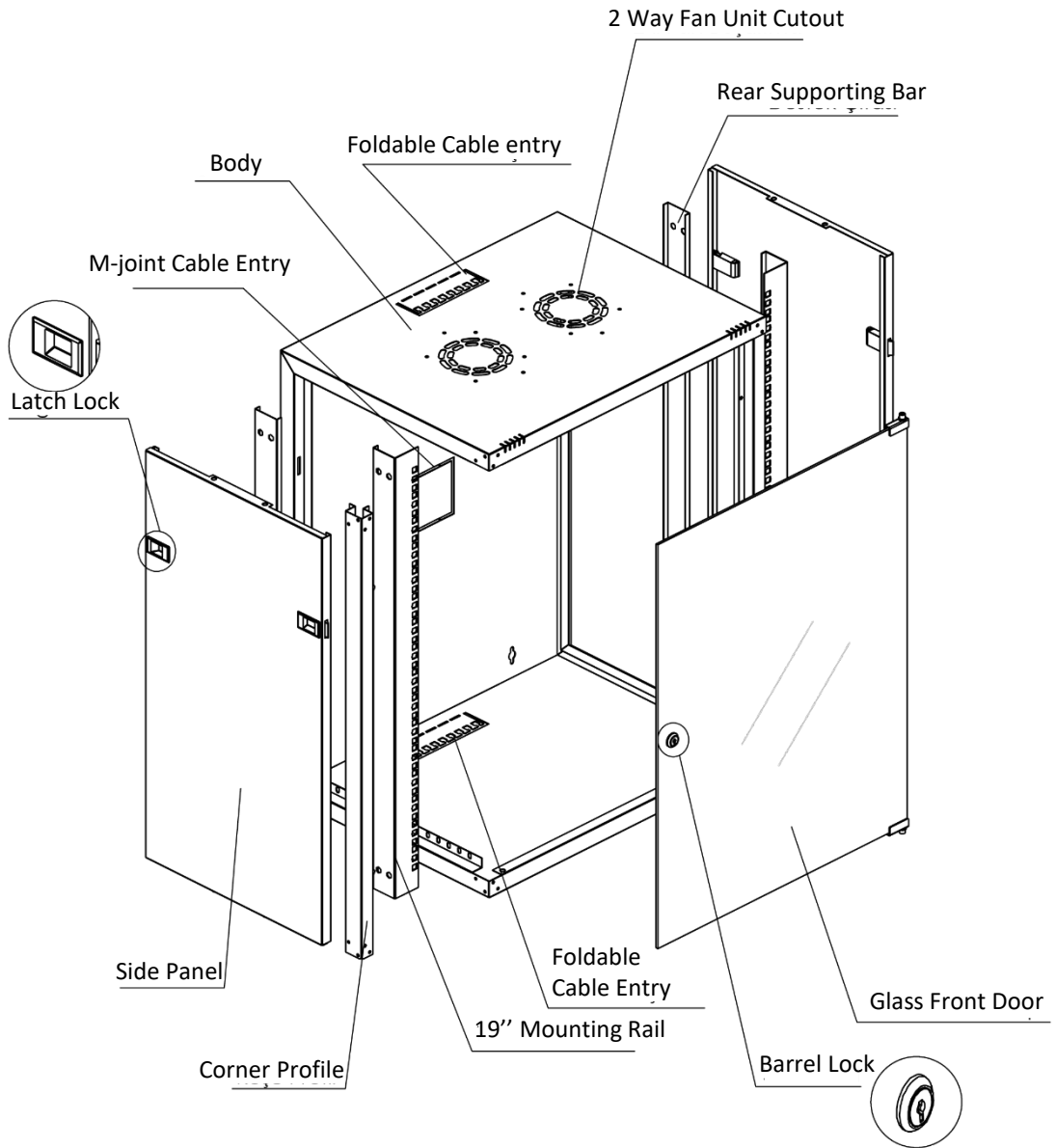
Inrow view



Elegant Line 600 x 600 mm

| Product Code | Product description | Width (W) mm | Depth (D) mm | H:1 Inner Height (mm) | H:2 Out Height (mm) | H:3 Wall Mounting Hole Distance (mm) |
|-------------------|------------------------------------|--------------|--------------|-----------------------|---------------------|--------------------------------------|
| ELGL07U6060PLG811 | Elegant Line 7U W=600 mm D=600 mm | 600 | 600 | 311 | 380 | 300 |
| ELGL09U6060PLG811 | Elegant Line 9U W=600 mm D=600 mm | 600 | 600 | 400 | 469 | 389 |
| ELGL12U6060PLG811 | Elegant Line 12U W=600 mm D=600 mm | 600 | 600 | 533 | 602 | 522 |
| ELGL16U6060PLG811 | Elegant Line 16U W=600 mm D=600 mm | 600 | 600 | 711 | 780 | 700 |

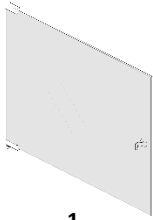
Exploded view



ELEGANT LINE OPTIONS

| Institutional Coding Initial Character | U Height | Width- Depth Dimension | Color Code | | Door Options | | |
|---|-------------|---------------------------|-------------|-----|---|------------------------------------|------------------------------|
| | | | | | X | X | X |
| AAAA | XXU | WWDD | CC | | Front Door | Rear Door | Side Panel |
| ELGL | 7U | 6045 | RAL 7035 PC | PLG | 1 Hinged Smoked Glass Front Door | 1 Fixed Rear Body | 1 Removable Side Panel |
| | 9U | 6060 | | | 2 Hinged Metal Front Door | 2 Fixed Rear Body with Brush | |
| | 12U | | | | 8 Hinged Glass Front Door | | |
| | 16U | | | | | | |

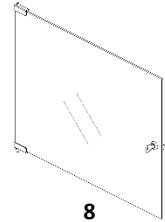
FRONT DOOR OPTIONS



1
Hinged Smoked
Glass Front Door

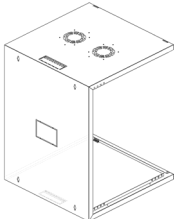


2
Hinged Metal
Front Door

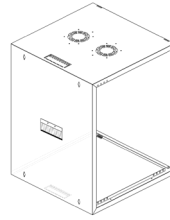


8
Hinged Glass
Front Door

REAR DOOR OPTIONS

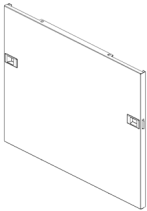


1
Fixed Rear Body



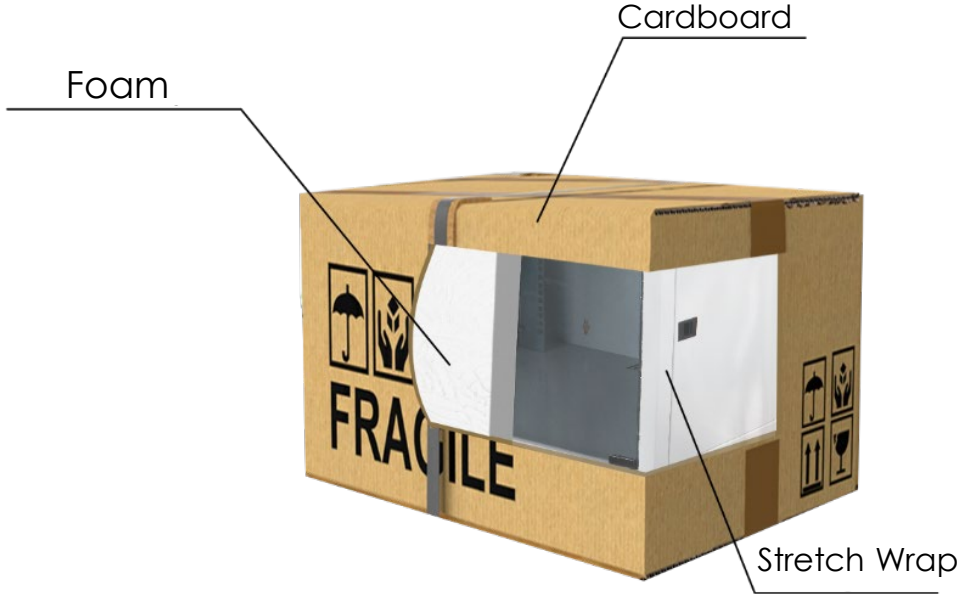
2
Fixed Rear Body with Brush

SIDE PANEL OPTIONS



1
Removable Side Panel

ASSEMBLED



Elegant Line 600 x 450 mm

ASSEMBLED
PACKING
INFORMATION

| Product Code | Product description | WxDxH WidthxDepthxHeight (mm) | WxDxH WidthxDep thxHeight (mm) | Net Weight (kg) |
|-------------------|------------------------------------|-------------------------------------|---|-----------------------|
| ELGL07U6060PLG811 | Elegant Line 7U W=600 mm D=600 mm | | | |
| ELGL09U6060PLG811 | Elegant Line 9U W=600 mm D=600 mm | | | |
| ELGL12U6060PLG811 | Elegant Line 12U W=600 mm D=600 mm | | | |
| ELGL16U6060PLG811 | Elegant Line 16U W=600 mm D=600 mm | | | |

***The information given in the table above are average values and are for informational purposes only. It may vary according to accessories and door options. Please contact our sales consultant for the exact information of your orders.*

TECHNICAL SPECIFICATIONS

PROTECTION INDEX

- IP20 According to IEC 61587-1 :2016
- IEC 60529
- IP20 :Rigid test rod diameter of 2.5 mm, 100 mm long (as specified by the standard) is pushed against any openings of the enclosure with the force of 3N

MECHANICAL PERFORMANCE

- EN 61587-1 15.01.2018
- Static mechanical load test (seviyesi SL5-LT5-ST5-NL5)
- Dynamic mechanical load test (Performance level DL4V) IEC 60068-2-6
- Shock test (IEC 60068-2-27: Ea; 1987) Performance level DL4S IEC 60068-2-27
- Impact test (IEC 60068-2-75 IEC62262) (Performance level IK07)
- Permissible load carrying capacity : 100kg

CLIMATIC TESTS (Performance level C2)

- Cold (IEC 60068-2-1)
- Dry heat (IEC 60068-2-2)
- Damp heat cyclic (IEC 60068-2-30)

INDUSTRIAL ATMOSPHERE (Performance level A2)

- Salt mist test IEC 60068-2-11
- Salt Spray Test TS EN ISO 9227
- Sulphur dioxide test and hydrogen sulphide test (IEC 60068-2-42, IEC 60068-2-43 and IEC 60068-2-49)

GROUNDING CONTINUITY

EN 61587-1 / EN 61010-1

- The continuity of the protection circuit is in accordance with the standard regulations. The measured resistance was less than 0.1 Ohm.

STANDARDS

1. **ISO9001-2015** Quality management system must be used in the production of 19" Rack cabinets
2. 19" Rack Cabinets must have a **TSE Certificate EN 61587-1 15.01.2018** standards
3. In addition, all of the main and auxiliary materials used in the manufacturing process must comply with the following standards

Sheet metal: TS EN ISO 9001:2008; TS EN 10130 :2006; DIN EN 1030- EQV; BS EN 1030-EQV; NF A36-401.

Electrostatic Powder Paint: EN 10143 EN 10169

Ventilation Units (Fan Unit) "EMC EN55032:2015 & LVD EN IEC 62368-1: 2020 +A11:2020

Connection Components (screw, nut, washer etc.)" TS EN ISO 7045; TS EN ISO 4032; RoHS IEC 62321 "

Locks Systems "DIN-EN ISO 1043-1 PA6 GFR 30; DIN-EN 1774-ZnAl4Cu1.

TECHNICAL SPECIFICATIONS

Documents; Manufacturer company, ISO 9001:2015 quality assurance system and EN 61587-1 15.01.2018 in the production of 10" cabinets.(Mechanical structures for electronic equipment) standards and submitted in the tender dossier.

Standards: : Cabinets must be 19" in ETSI and/or EIA 310-D standards.

Main Frame and Profile Structure; Main profile must be a structure that would increase mechanical resistance with aesthetic appearance, folded with an angle of 90 degree and must consist of 4 bending, 2 front and 2 rear supporting bars . The main body, profile structures and doors must be manufactured from painted sheet metal with a thickness of at least 1 mm. Profiles will be in the form of fixing to the top and bottom cases and will be mounted with steel rivets. Axial strengths will be considered during the positioning of the steel rivets. The main frame should have a monobloc bended structure. There should be 50x150 mm folded cable entries that can be easily bent by hand on the top and bottom cases. There should be 100x150 mm M-joint cable entry on the rear surface of the body. There should be ventilation slots for fan unit assembly for air outlet on the body.

Side Panels; removable and lockable side panels with latch locks

Front Door; It is tempered, secure, grinded, 4 mm glass. The front glass door can be opened at least 135 degrees, can be locked and removable. The front door should be fitted to the right/left when desired

Paint; Cabinets will provide high resistance against impacts; 1mm sheet should be produced with RAL 7035 100gr Zn 35 micron film coated dx 51 sheet (EN 10143 EN10169).

19" Mounting Rails; 2 pcs 19" mounting rails must be adjustable in D:450 cabinets, 4 pcs 19" mounting rails must be adjustable in D:600 cabinets. Vertical mounting rails must be 1.5mm thickness. It should be produced in CNC punch benches with a precision of 1U=44.45 mm, with a square hole of 9.5x9.5mm, with a precision of +/-0.01. On the front faces of the 19" mounting rails, "U" " dimensions should be marked. 19" mounting rails should be manufactured and mounted in such a way that they can move along the depth of the cabinet.

Areas of usage: Wall mounted cabinets will have a design suitable for using adjustable levelling feets that allow them to be free standing.

Shipment; Elegant Line 19inch Wall Mounting Rack Cabinets are shipped as assembled.