

Rack Mount Type Fan Unit: 4 Fan,with On/Off Switch control, 1U, 19"

The ventilation units has been designed to expel the warm air from the top of the rack cabinets and ensuring correct air circulation.



- 4 Ventilation units
- On/off switch control
- Mounting screws
- Power cord with schuko plug

List Code: PACCRKFN04

Technical Data

Dimension HxWxD in mm
Product Code For Colour

44 x 483 x 320mm
RAL 9005 Black color = PABLRKFN04 or RAL 7035 L.gray color = PALGRKFN04

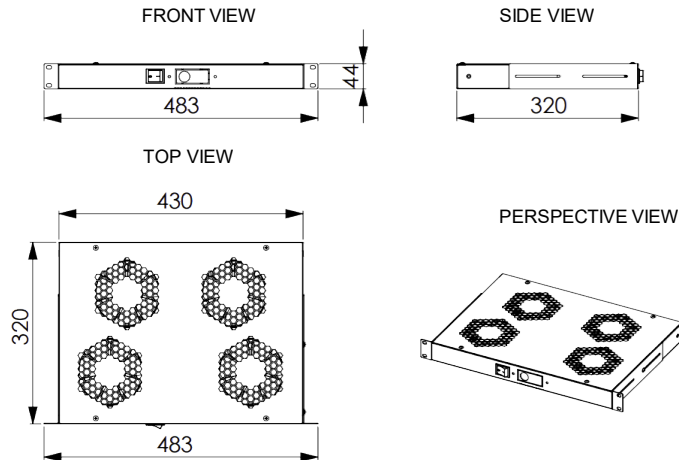
Mechanical Characteristics

Material Type Sheet Steel

Power Characteristics

Voltage Range	220/240
Freq Hz	50/60
Current (A)	0,14A
Power (W)	22
Speed RPM	2700/3000
Noise Level in (dBA)	40/47dBA
Air Flow M3/Hr & CFM	133/162 & 82/95

Drawings



General information of the Fan units

EMC Applied standards Report Nr: EMC2019258.01

• EN 55032	Emission – Electronic compability of multimedia equipment
• IEC EN 61000-3-2	Limits for harmonic currents emission
• EN 61000-3-3 +A1	Limitation of voltage fluctuations and flicker
• EN 55024 +A1	Immunity – information Technology equipment
• EN 61000-4-2	Electrostatic discharge immunity test
• EN 61000-4-3 +A1+A2	Radiated RF electromagnetic field immunity test
• EN 61000-4-4	Electrical fan transient/burst immunity test
• EN 61000-4-5 +A1	Surge immunity test
• EN 61000-4-6	Immunity to RF conducted disturbances
• EN 61000-4-8	Power frequency magnetic field immunity test
• EN 61000-4-11 +A1	Voltage dips, short interruptions and voltage variations immunity test
• EN 61000-6-3 +A1 - +AC	Generic emission standard. Residential, commercial and light industry

Overview of results

Emission Test	Standards	Results
• Mains conducted disturbance voltage	EN 55032 Class A	PASS
• Radiated electromagnetic field	EN 55032 Class A	PASS
• Harmonic current emission	EN 61000-3-2	PASS
• Limitation of voltage fluctuations	EN 61000-3-3	PASS
• Discontinuoud istrubance (clicks) on AC powerleads	EN 61000-6-3	PASS

Immunity Test	Standards	Results
• Electrostatic discharges (ESD) immunity	EN 55024, EN 61000-4-2	PASS
• Radiated EM field immunity	EN 55024, EN 61000-4-3	PASS
• Electrical fast transient (EFT) Burst transient immunity	EN 55024, EN 61000-4-4	PASS
• Surge transient immunity	EN 55024, EN 61000-4-5	PASS
• Conducted RF disturbances immunity	EN 55024, EN 61000-4-6	PASS
• Power frequency magnetic field immunity	EN 55024, EN 61000-4-8	N/A
• Power supply voltage interruptions & dips immunity	EN 55024, EN 61000-4-11	PASS

LVD / information technology equipment safety Report Nr: ESIM62368_1C

Standard : IEC 62368-1 :2018

The prduct fulfils the requirements of the *IEC 62368-1 :2018* EN IEC 62368-1 :2020 + A11:2020 standards

Additional Information

• Supply cord + Schuko plug	TS IEC 60884-1+A1+A2
• Supply cord + UK plug	BS 1363-1
• On/Off switch	TS EN61058-1
• Analog Thermostat	EN 60730-1 / EN60730-2-9
• Connector	IEC/EN 60950-1
• Fan	IEC/EN 60950-1