



TC-C35SS Spec:I3/A/E/Y/M/C/H/2.7-13.5mm/V4.0

Turret Camera

Lite Series



KEY FEATURES

- Metal housing
- Up to Max. Resolution
- S+265/H.265/H.264B/H.264M/H.264H
- Color:0.002Lux@(F1.6,AGC ON),B/W:0Lux with IR
- IR Range 30m
- Built-in Mic
- Support microSD/microSDHC/microSDXC card, up to 512 GB
- Support Smart surveillance
- Operating Conditions -35°C~65°C(No turning on the light), Humidity 95% or less (no condensation)
- DC12V±25%,MAX 7W, POE 802.3af,MAX 8W
- IP66

SPECIFICATIONS

Camera	
Image Sensor	1/2.8"CMOS
Min. Illumination	Color:0.002Lux@(F1.6,AGC ON),B/W:0Lux with IR
Shutter Time	1s~1/100000s
Day&Night	IR-cut filter with auto switch (ICR)
WDR	120dB
S/N	>42dB
Angle Adjustment	0~340°(P); 0~65°(T); 0~360°(R)
Lens	
Lens Type	Motorized
Focal Length	2.7~13.5mm
Lens Mount	Φ14
Aperture Range	F1.6
Field of View	96.2°~29.2°(H); 70.3°~22°(V); 119.1°~36.6°(D)
DORI Distance	W: Detect:54.0m Observe:21.4m Recognize:10.8m Identify:5.4m T: Detect:270.0m Observe:107.1m Recognize:54.0m Identify:27.0m
Illuminator	
IR LEDs	2
IR Distance	30m
Wavelength	850nm
Compression Standard	
Video Compression	S+265/H.265/H.264B/H.264M/H.264H
Video Bit Rate	32k~6Mbps
Audio Compression	G.711A/G.711U/ADPCM_D
Audio Sampling Rate	8kHz/32kHz/48kHz
Image	
Main Stream	PAL:20fps(2592×1944), 25fps(2592×1520, 2560×1440, 2304×1296, 1920×1080, 1280×720) NTSC:20fps(2592×1944), 24fps(, 2592×1520, 2560×1440), 30fps(2304×1296, 1920×1080, 1280×720)
Sub Stream	PAL:25fps(704×576, 704×288, 640×360, 352×288) NTSC:30fps(704×480, 704×240, 640×360, 352×240)
BLC	Yes
HLC	Yes

AGC	Yes
3D DNR	Yes
White Balance	Auto/Semi-Auto/Manual/Sunshine/Nature Light/Warmlight Lamp/Daylight Lamp/Filament Lamp/Lock White Balance
ROI	8 rectangular static areas
OSD	Overlay of additional characters in 1 regions, 1 line, with a maximum of 48 characters or 16 Chinese characters per region; 16*16/32*32/48*48/64*64
Privacy Mask	4 black static areas
Defog	Yes

Feature

Alarm Trigger	Motion Detection; Mask Alarm; Disk Full; Disk R/W Error; IP Address Conflict; Event Input, Event Output
Linkage Method	trigger recording; trigger capture; notify surveillance center
Video Analytics	Tripwire; Perimeter
Rules of behavior analyse in 1 scene	2

Network

ANR	Yes
Protocols	HTTP; HTTPS; TCP/IP; UDP; UPnP; ICMP; DHCP; DNS; DDNS; Easy DDNS; NTP; QoS; IPv4; SSH; Unicast; RTSP; FTP
System Compatibility	P2P(Mutually exclusive with Profile G); ONVIF Profile S/T/G; CGI; Milestone
Remote Connection	≤2
Client	Easy7 Smart Client
Moblle Client	EasyLive Plus

Interface

Communication Interface	1*RJ-45,10/100 Mbps self-adaptive Ethernet port
Audio I/O	1; 1
Alarm I/O	1-ch,TTL input,3mA,3.3VDC; 1-ch,TTL output,30mA,12VDC
Reset Button	Yes
On-board storage	Support microSD/microSDHC/microSDXC card, up to 512 GB
RTC	Yes

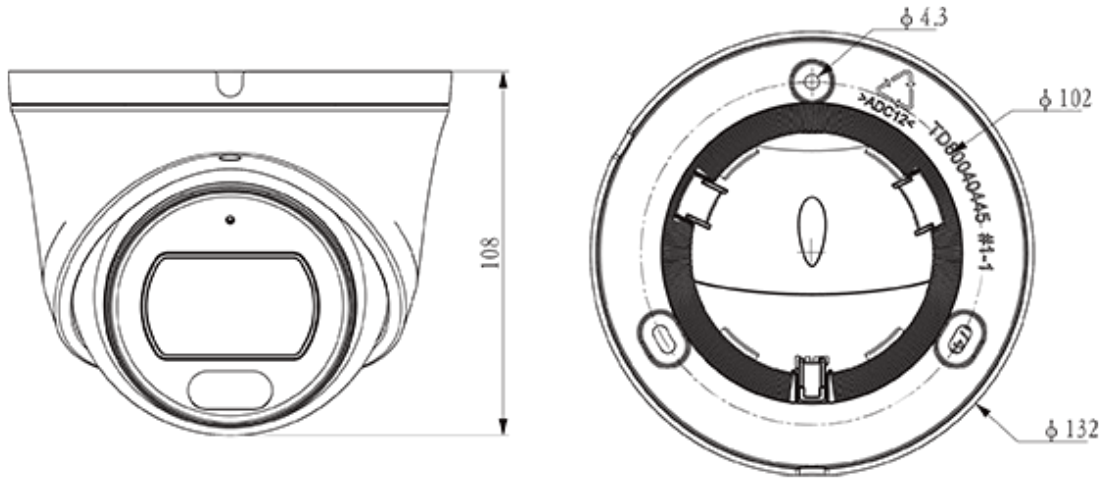
General

Web Client Language	19 languages Simple Chinese/Traditional Chinese/English/Spanish/Korean/Italian/Turkish/Russian/Thai/French/Polish/Dutch/Hebrew/Arabic/Vietnamese/German/Ukrainian/Portuguese/Albanian
Operating Temperature	-35°C~65°C(No turning on the light)
Operating Humidity	Humidity 95% or less (no condensation)
Storage Temperature	-35°C~65°C
Storage Humidity	Humidity 95% or less (no condensation)
Power Supply	DC12V±25%,MAX 7W; POE 802.3af,MAX 8W
Protection	Surge4000V; ESD6000V; IP66
Boundary Dimensions	132(L)132(W)108.2(H)mm
Package Dimensions	180(L)170(W)130(H)mm

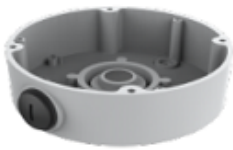
GrossWeight

0.9kg

DIMENSIONS (Unit: mm)



Assembly diagram of Junction Box



TC-P54BM SpecV3



A28



A25



A36



A35