

## Rack mount 19" PDU, 16A, 230VAC, 6 (Type 'H' Socket) with 2-Poles surge arrester plug-in units, 20kA

### ST-PDU6S



#### Overview

The power strips with built in surge protection are designed to protect electronic equipment from power surges and spikes, which can damage sensitive equipment. Surge protected PDUs are available in horizontal or vertical 19" mount formats with a selection of sockets and input connectors.

#### Features

19" PDU with surge protection

##### 1.5U Rack mount design

230VAC, 50/60Hz, Max.16A

##### Over-Current protection with switching capacity 6kA

1.5-meter cord cable with earth plug.

##### Operating temperature -15°C - 60°C

Storage Temperature -25°C - 65°C

##### Relative Humidity 0-95%

Materials Galvanized iron, red color

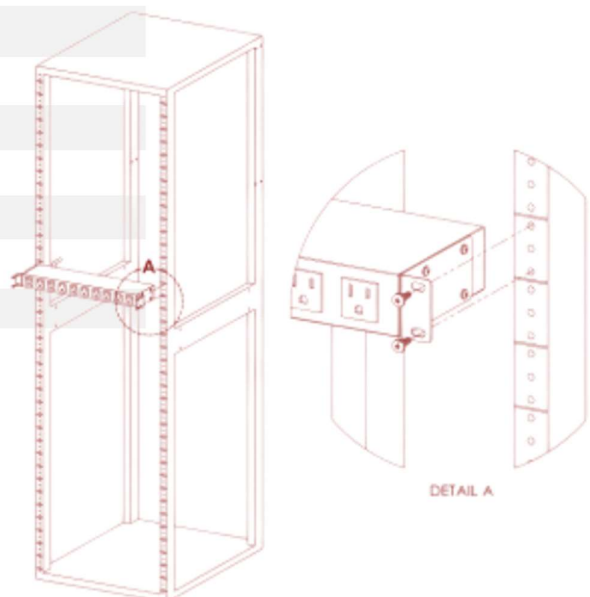
##### 2 poles surge arrester, 20kA

Horizontal Mounting position

##### Load capacity 3680 VA

Residential and commercial applications

##### Dimensions: 48.5cm X 6.5cm X 5.5cm



# Surge arrester plug-in unit, 280VAC, 20kA

## SPCT2-280

### Overview

For protecting consumer systems against transient overvoltage caused by indirect lightning strikes and switching operations, test class II according to IEC 61643-1+A1, SPD-type T2 according to EN 61643-11.



### General Specification

Part no.	SPCT2-280
Max. Continuous Operating In (8/20) $\mu$ s	20 kA
Voltage protection level	1.4 kV
Voltage protection level (L-N)	0 kV
Voltage protection level (N-PE)	0 kV
Nominal voltage at AC	280 V
Nominal voltage at DC	0 V
Continuous voltage at AC - max	280 V
Continuous voltage at DC - max	0 V
PV-voltage - max	0 V
Nominal discharge surge current (8/20)	20 kA
Discharge surge current (8/20) - max	40 kA
Maximum back-up fuse	
Max. continuous operating voltage	280VAC
Open circuit voltage	6kV

# Drawings

