



DATA SHEET

Weather Proof Conventional Fire Strobe Sounder

Part Number

FAE050033

OVERVIEW

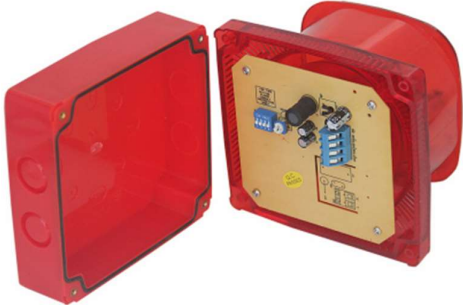
Weather proof Conventional Fire Strobe Sounder is a conventional Power Strobe Sounder. The strobe sounder is suitable for outdoor applications with an IP65 rating.

KEY FEATURES

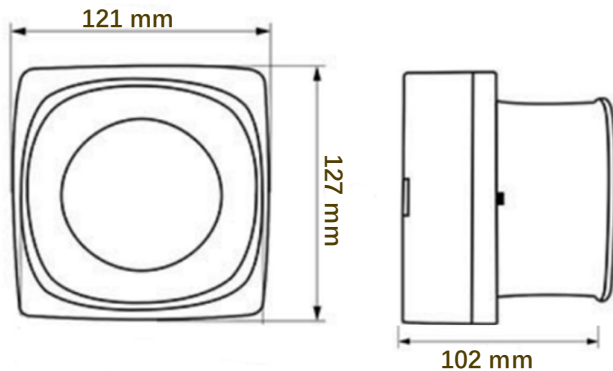
- Designed for outdoor use
- Easy to wire and install
- A variety of alarm options
- Sound pressure level can adjustable.

TECHNICAL SPECIFICATION

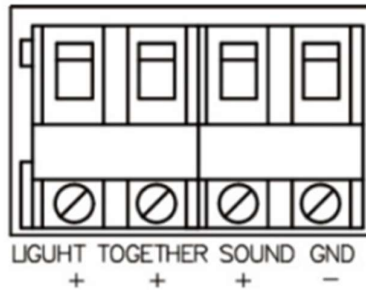
Product Name	Wired Fire Alarm Strobe Sounder
Operating Voltage	12 – 30 VDC
Alarm Current	< 35mA
Sound Pressure	Adjustable up to 105 dB
Audio source	8 tones and light combination
Light flash cycle	< 1.3 sec
Working Temperature	-20 °C – 50 °C
Installation way	Wall Hanging
Alarm indicator	Red LED Light
Operating humidity	95% RH
Storage Temperature	-20 °C – 60 °C
Color	Red
Weight	0.4 kg



DIMENSIONS



CONNECTIONS



Positive	Negative	Result
LIGHT	GND	Flash only work
SOUND	GND	Sound only work
TOGETHER	GND	Both Flash and sound work